

Automatic swing door SW100

High performance.

More portable and smaller.

Suited for different door structure, simple mechanism for easy installation.

Product Features:

1. **Smooth and Silent Operation:** The Automatic Swing Door Operator is designed to operate smoothly and silently, ensuring a comfortable and peaceful entry experience for everyone.
2. **Safety Features:** The system is equipped with advanced safety features, including sensors that detect obstacles and prevent the door from closing on people or objects.
3. **Easy to Install:** The system is designed for easy installation and can be integrated with most existing doors. It comes with clear instructions and all necessary mounting hardware, making installation a breeze.
4. **Multiple Control Options:** The system can be controlled with a variety of options, including remote control, wall switches, and motion sensors.

Product Advantages:

1. **Convenience:** The Automatic Swing Door Operator provides a convenient and efficient entrance solution for any building. It is ideal for high-traffic areas and can be customized to meet your specific needs.
2. **Accessibility:** The system is designed to provide easy access for people with disabilities, ensuring that everyone can enter and exit the building safely and comfortably.
3. **Energy-efficient:** The system is designed to conserve energy, with automatic closing features that ensure the door is not left open for extended periods.
4. **Security:** The system provides added security for your building, with advanced access control features that allow you to restrict access to certain areas.

Usage Methods:

1. **Installation:** The Automatic Swing Door Operator is designed for easy installation. Follow the provided instructions and use the mounting hardware to attach the system to your existing door.
2. **Control:** The system can be controlled with a variety of options, including remote control, wall switches, and motion sensors. Choose the control option that best suits your needs.
3. **Maintenance:** Regular maintenance is recommended to ensure the system operates smoothly and efficiently. Follow the provided maintenance instructions to keep the system in top condition.

In conclusion, the Automatic Swing Door Operator is a high-quality and innovative entrance solution for any building. Its advanced features and benefits make it a versatile and cost-effective choice for both residential and commercial applications. With easy installation, multiple control options, and advanced safety and security features, this system is a convenient and efficient way to improve the accessibility and functionality of your building.

SW100Slim

Automatic swing door *big upgrade*

Reliable / Stable / Simple



passed CE certification



Life cycle Approved by TUV



Max door weight 150kg



Wide Voltage



Max door weight 150kg

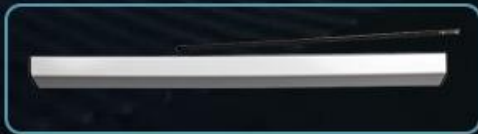


Inside&outside sensor available



Suited for indoor

PUSH BAR & PULL BAR AVAILABLE

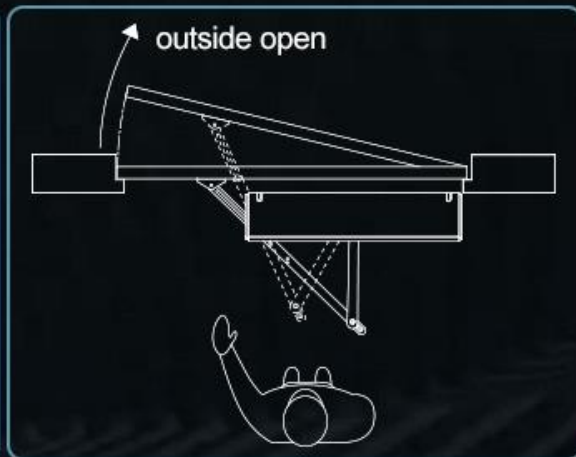
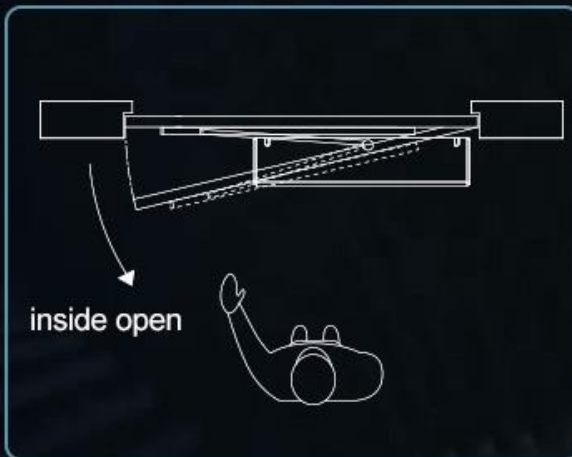


PULL BAR

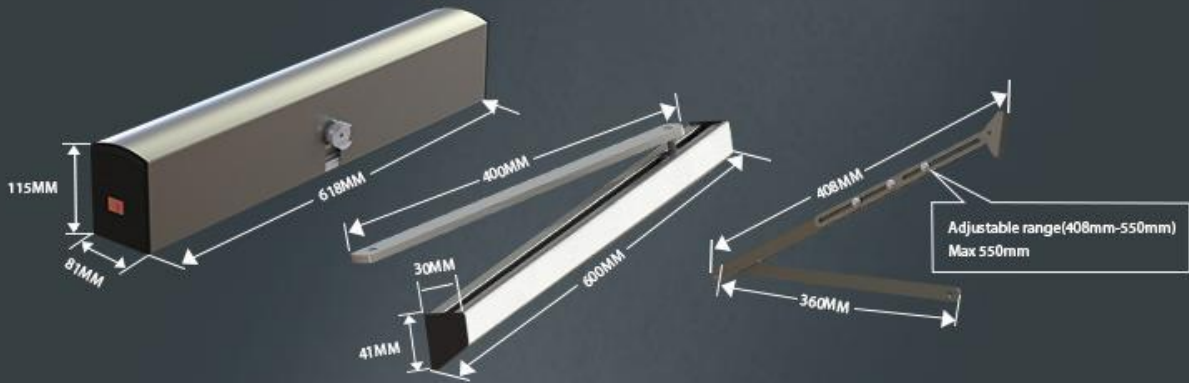


PUSH BAR

How to choose the bar?



SLIM BODY BIG POWER



ABOUT CONTROLLER

Controller & Transformer Combined
More space saving



Input Voltage AC100-240



- 01 Close buffer distance: Distance increase clockwise
- 02 Open buffer distance: Distance increase clockwise
- 03 Open speed: Open speed increase clockwise
- 04 Close speed: Close speed increase clockwise
- 05 Buffer speed: Buffer speed increase clockwise
- 06 Open hold time: Hold time increase clockwise(0-20s adjustable)

SENSOR CAN BE CONNECTED

Sensor can be connected
Inside and outside directly
Non-interference



LITHIUM BATTERY (OPTIONAL)



After installed with lithium battery

- The door can keep open for **fire control when power off**
- Lithium lifecycle after power off:
Stand by: **14H**
- Open and close times: **800times**

LOCK CONNECTION

Directly connecting the lock
no need to connect power supply



USE IN SPECIAL CIRCUMSTANCES

Specialized united
rail and cover



- Negative pressure can be also used as normal(-20°C-+50°C)
- Specialized combined rail and cover for double open (seperate operator installation optional)



APPLICATION PLACE



TECHNICAL DATA

SW100SLIM	
Size	475*81*98mm(L*W*H)
Weight	5.5kgs
Working temperature	-20°C ~ +50°C
Input voltage	AC 100V -240V
Output voltage	24V DC (±10%),3A
Open degree	Max 110°
Open speed	45°/S
Close speed	45°/S
Opening time	0-60S (adjustable)
Protection Class	IP21

OTHER ACCESSORIES OPTIONAL



STANDARD PACKAGE DETAIL



