

STANDARD PACKING



Track/Plastic tooth



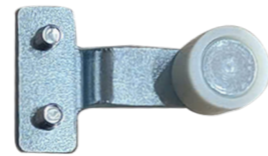
Door guider(optional)



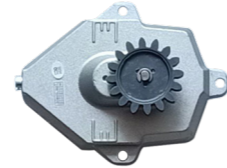
Full open device



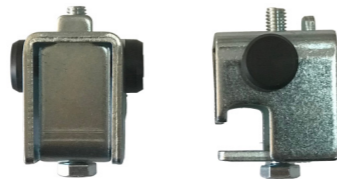
Spring drive device



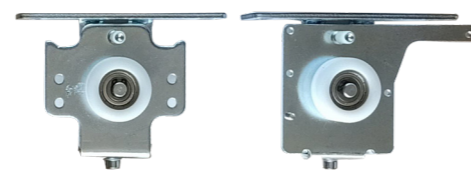
End wheel



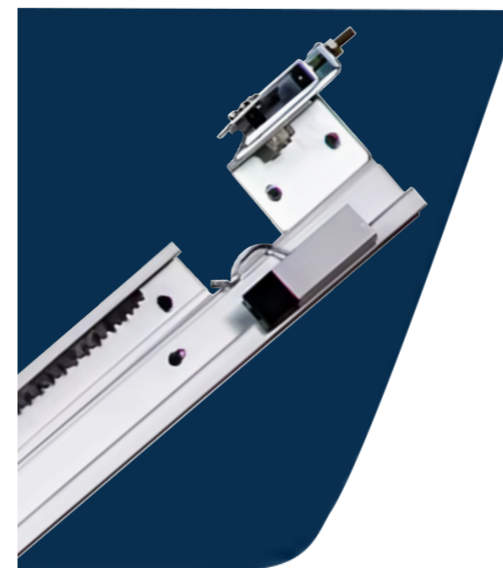
Rear brake



Stopper

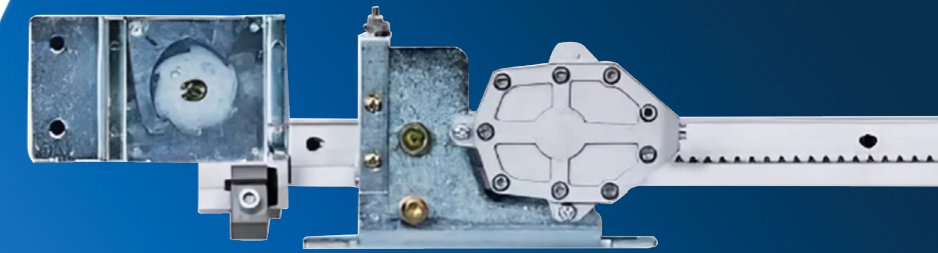


Hanger



artek 
AUTOMATIC DOORS

Artek is a Chinese brand specializing in automatic door solutions, including sliding doors, semi-automatic doors, and other types of automated systems.



SEMI-AUTO SLIDING DOOR

With a compact design and smart open-close mechanism, the semi-automatic sliding door optimizes movement and indoor environment control. Users simply slide the door open manually, and it will close automatically and quietly without noise. This product meets modern build standards while helping reduce operational costs.

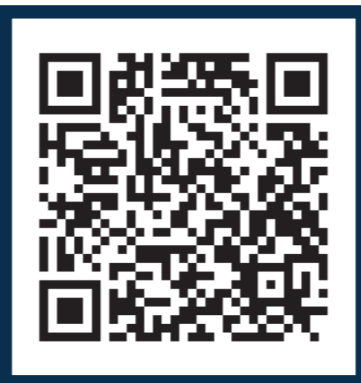
artek 
AUTOMATIC DOORS

ARTEK INTELLIGENT TECHNOLOGY (ZHEJIANG) CO., LTD
Address: No. 343 Langan Road, Tongxiang Industrial Park,
Zhejiang, China

Tel: +86 573 67923922 - Fax: +86 573 67971856

Email: Info@artek.com.cn

Website: www.artekdoor.com



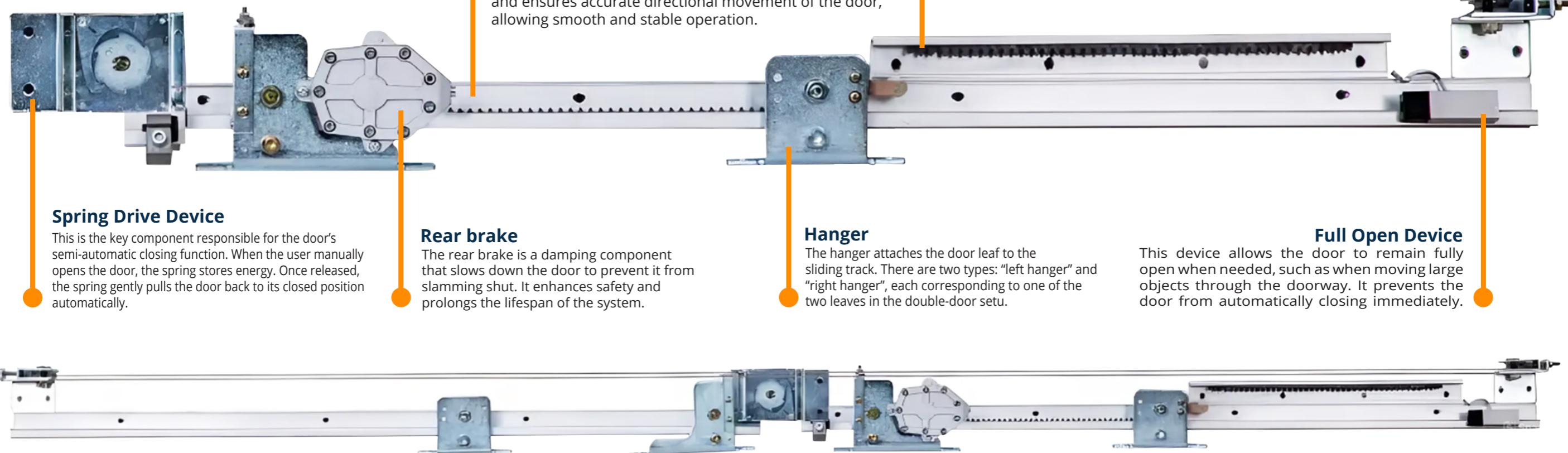
QR WEBSITE

www.artekdoor.com

SEMI-AUTO SLIDING DOOR MSMS-22/DSMS-31/DSMS-44A/DSMS-44B

The semi-automatic sliding door is designed with a manual sliding system that allows the door to open by hand and automatically close using an air brake mechanism. Normally, the door remains fully closed, and when users need to enter or exit, they simply slide the door gently to one side. After that, the door will automatically close smoothly on its own.

Single Opening



Spring Drive Device

This is the key component responsible for the door's semi-automatic closing function. When the user manually opens the door, the spring stores energy. Once released, the spring gently pulls the door back to its closed position automatically.

Track (Sliding Rail)

The track is a fixed rail that guides the door as it slides open or closed. It can be an upper track or a lower track and ensures accurate directional movement of the door, allowing smooth and stable operation.

Rear brake

The rear brake is a damping component that slows down the door to prevent it from slamming shut. It enhances safety and prolongs the lifespan of the system.

Hanger

The hanger attaches the door leaf to the sliding track. There are two types: "left hanger" and "right hanger", each corresponding to one of the two leaves in the double-door setu.

Plastic Tooth

The plastic tooth is connected to the spring mechanism and plays a role in evenly and reliably transmitting motion. It functions as a linear drive component between the spring and the wheels/hangers.

Steering Wheel

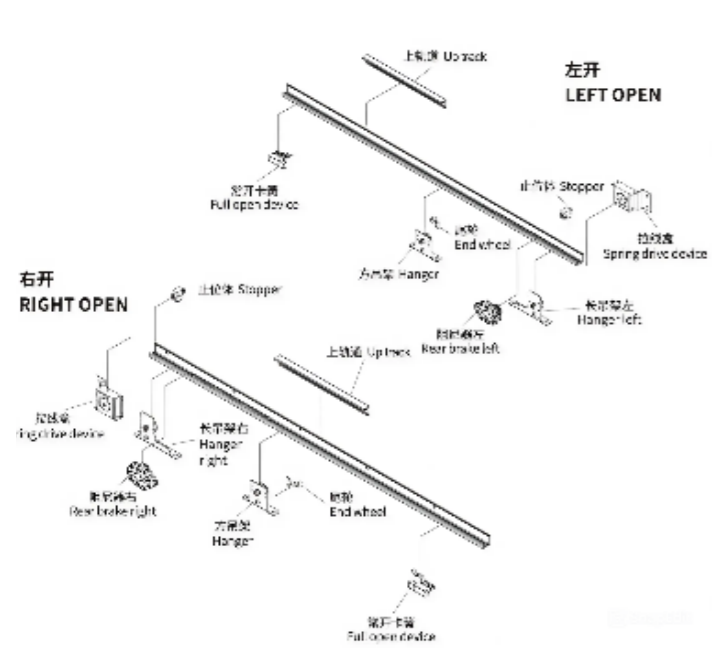
The steering wheel redirects the pulling cable or force within a limited space. It ensures the pulling force from the spring travels in the correct direction to the corresponding door leaf.

Full Open Device

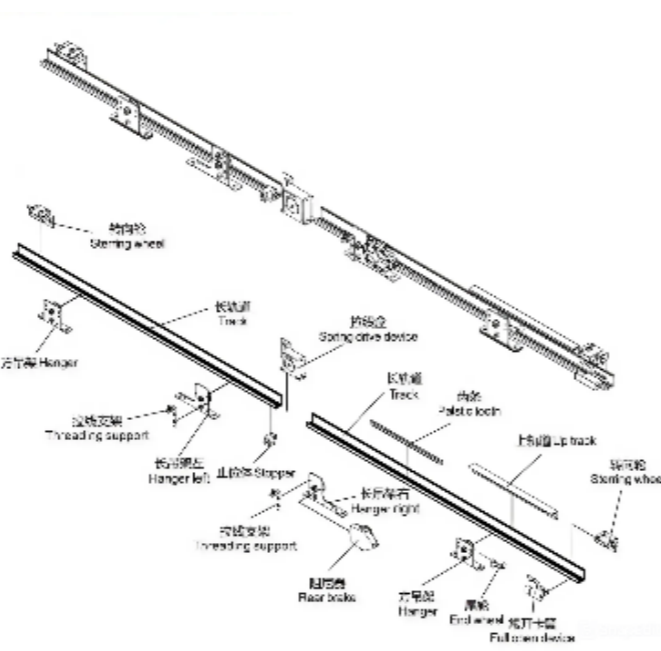
This device allows the door to remain fully open when needed, such as when moving large objects through the doorway. It prevents the door from automatically closing immediately.

Double Opening

LEFT OPEN/RIGHT OPEN



DOUBLE OPEN



TECHNICAL DATA

Model	MSMS-22	DSMS-31	DSMS-44A	DSMS-44B
Door weight	10–80 kgs/leaf	30–100 kgs/leaf	10–60 kgs/leaf	20–80 kgs/leaf
Door width	700–1200 mm	1200–1600 mm	700–1200 mm	700–1200 mm
Closing drive system	Spiral spring type			
Controlling system	Fluid friction resistance type			
Durability	More than 1 million open/close operations			
Spring thickness	0.265 mm	0.385 mm	0.265 mm	0.385 mm
Rail length	2200 mm	3100 mm	4400 mm	4400 mm
Always open function	Yes	Yes	Yes	Yes